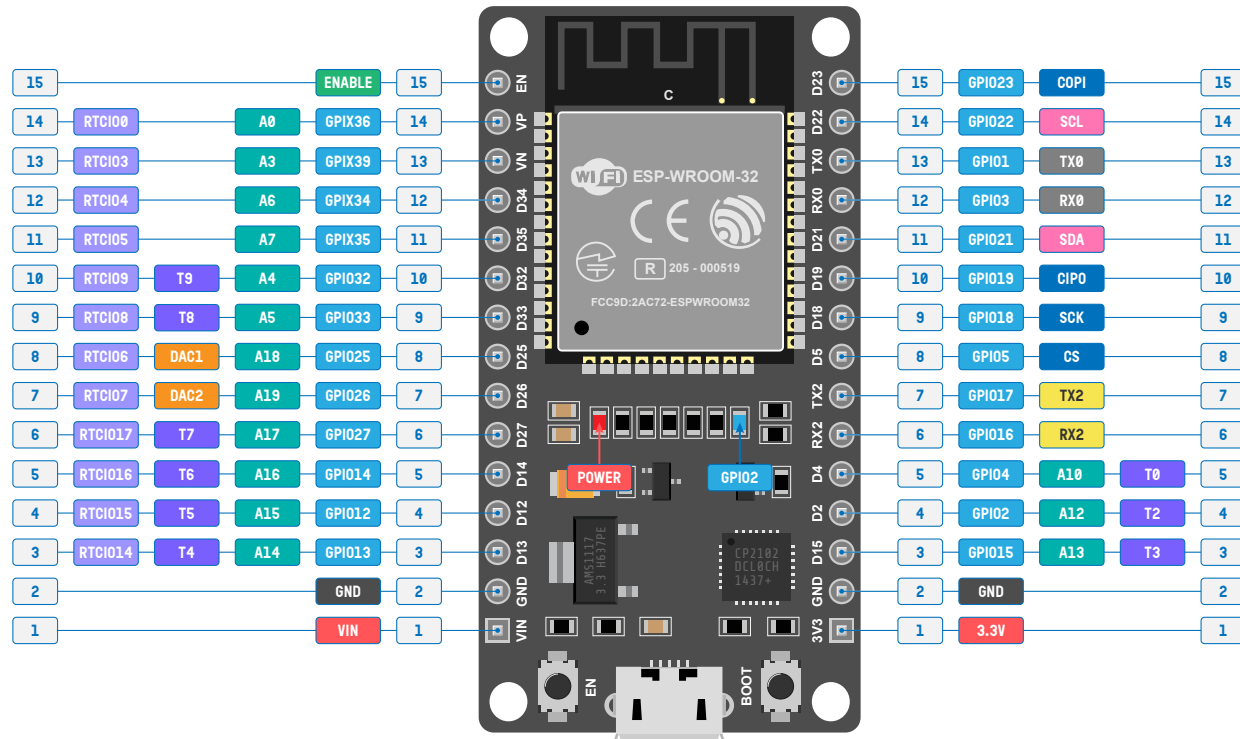


# DOIT ESP32 DEVKIT V1 PINOUT



PHYSICAL PIN	POSITIVE SUPPLY	DAC OUTPUTS	SPI PINS
CONTROL PINS	GROUND SUPPLY	TOUCH INPUTS	UART PINS
GPIO PINS	ADC INPUTS	I2C PINS	EXCLUDED PINS

- GPIO pins 34, 35, 36 and 39 are input only.
- TX0 and RX0 (Serial0) are used for serial programming.
- TX2 and RX2 can be accessed as Serial2.
- Default SPI is VSPI. Both VSPI and HSPI pins can be set to any GPIO pins.
- All GPIO pins support PWM and interrupts.
- Builtin LED is connected to GPIO2.
- Some GPIO pins are used for interfacing flash memory and thus are not shown.



Rev. 0.1, 17-12-2022  
Design: Vishnu Mohanan  
This work is licensed under a Creative Commons Attribution 4.0 International License.